

LPN 5627 SERIES

FEATURES

- Ultra-small size
- 500 scans per second
- Fully decoded and programmable
- Easily integrated into new equipment designs
- 32-Bit microprocessor
- RS232 interface
- Single line and raster versions



MINIATURE LASER FIXED POSITION SCANNER

LPN 5627 fixed position laser scanners are microprocessor-controlled devices designed to be easily integrated into any new product design. These extremely small yet rugged fully decoded laser scanners are ideal for OEM applications that require a high performance scanner with the ability to fit into tight spaces.

State-of-the-art component packaging, high density surface mount printed circuit boards and a rugged moisture-resistant die cast zinc enclosure contribute to the superior reliability and long life of these compact scanners.

Operating on 5 VDC power, these scanners automatically recognize and decode all of the most popular bar code symbologies and

transmit the decoded data using RS232 communications to the host device. A good read LED and test/trigger button located on the rear panel provide a convenient aid when testing and setting up the scanner.

Easy to program parameters match the scanner to the specific application. Programmable settings can be downloaded from the host computer directly to the scanner.

The standard configuration has a 6-foot cable, terminated in a 9-pin male, MiniDIN connector. Custom cable lengths, connector types and pinouts are available to meet your specific needs.

"I recommend
Opticon products
because they
hold up really
well over time."

OUR PROMISE

At Opticon, our mission is to provide bar code scanning products that are easy to use, built-to-last, fit your exact requirements and are supported by an experienced, responsive team of professionals. We believe that accomplishing our mission is dependent upon operating with a set of important core values—Passion, People, Creativity and Teamwork. All our employees work to understand and apply these values in everything that they do.

LPN 5627 SERIES

MINIATURE LASER FIXED POSITION SCANNER

OPTICAL

Light Source	Visible Laser Diode, $\lambda = 650 \text{ nm}$
Image Sensor	Photodetector
Scan Speed	500 scans/sec
Decode Speed	500 decodes/sec
Min Resolution	0.15 mm (6 mil) at PCS 0.9
Min PCS Value	0.45

ELECTRICAL

Operating Voltage	5 VDC $\pm 10\%$
Current	
Operating	255 mA typical / 390 mA max
Standby	180 mA typical / 260 mA max
Interface	RS232

ENVIRONMENTAL

Temperature	
Operating	0 to +45° C (+32 to +113° F)
Storage	-10 to +60° C (+14 to +140° F)
Humidity (non-condensing)	
Operating	20 to 85%
Storage	20 to 90%
Dust and Water	Designed to meet IP54
Regulatory	Conforms to 21 CFR 1040.1 and 21 CFR 1040.11 (CDRH Class II) FCC Class B, CE certified ISO 9002 certified mfg. facility

PHYSICAL

Case Material	Die Cast Zinc
Dimensions (L x W x H)	48 x 38 x 23 mm (1.9 x 1.5 x 0.9 in)
Weight	80 g (2.9 oz)

ORDERING INFORMATION

Part Number	Description
LPN5627RR15-048	Laser Scanner
LPR5627RR15-048	Laser Scanner (Raster version)
LPN-5627R1-SK1	Evaluation Kit*
LPR-5627R1-SK1	Evaluation Kit* (Raster version)

*Kit consists of scanner, test board, power supply, cable and manual.

PINOUTS

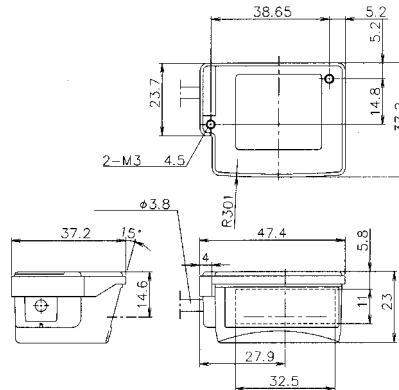
9-Pin Male MiniDIN

Pin	Function
1	Trigger
2	Good Read
3	Bad Read
4	CTS
5	RTS
6	RD
7	SD
8	+5 VDC
9	Signal Ground

SYMBOLOGIES

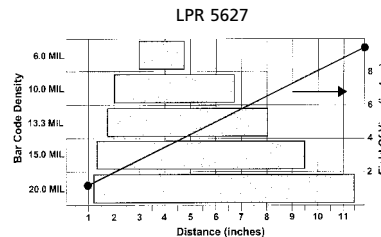
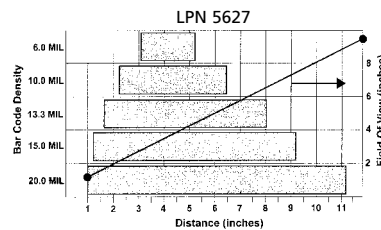
Codabar (NW-7)
Code 39
Code 93
Code 128
Industrial 2 of 5
Interleaved 2 of 5
MSI / Plessey
UPC, EAN, JAN
IATA

GENERAL MECHANICAL LAYOUT



(All dimensions in mm)

READING RANGE (TYPICAL)



WARRANTY

Opticon laser based scanners are warranted for a period of one (1) year, including parts and workmanship. Visit our web site for details.

TECHNICAL SUPPORT / SALES

Opticon's experienced, well trained technical support team is available to answer questions and assist you in every way possible in support of our products. Call today to find out how the scanner can be adapted to your design: 800.636.0090, or visit our web site at www.opticonUSA.com.

25-DLPNR101-01 Rev A
Specifications subject to change without prior notice.



OPTICON, INC.
8 Olympic Drive Orangeburg, NY 10962
Toll Free 800.636.0090 Tel 845.365.0090 Fax 845.365.1251
www.opticonUSA.com

CUSTOM-BUILT. BUILT TO LAST.